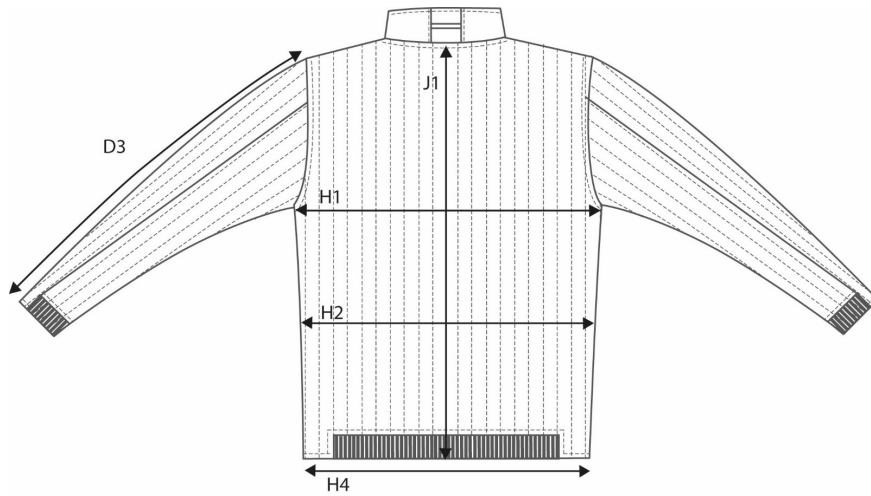
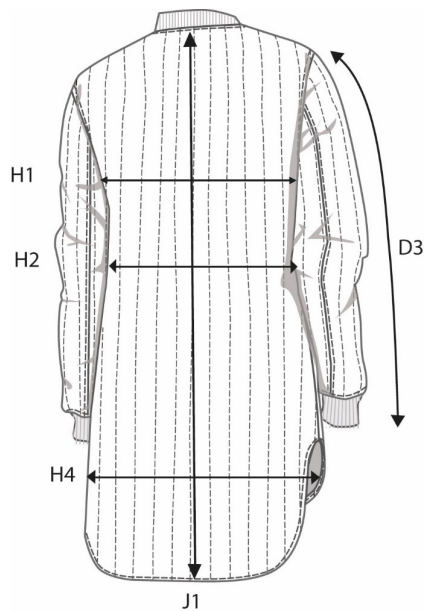


SIZE AND FIT: LINDENWOOD



LINDENWOOD *Men*

Base size: M / Measurement (in cm)	Diagram	S	M	L	XL	XXL	3XL	4XL
SLEEVE LENGTH from shoulderseam	D2	65,75	67,5	69,25	71	72,75	75,5	76,25
1/2 CHEST WIDTH at armhole	H1	55,5	58,5	61,5	64,5	67,5	70,5	73,5
1/2 WAIST WIDTH	H2	54	57	60	63	66	69	72
1/2 BOTTOM WIDTH	H4	52	55	58	61	64	67	70
FULL LENGTH at centre back	J1	68	71	74	77	80	83	86



LINDENWOOD *Women*

Base size: M / Measurement (in cm)	Diagram	XS	S	M	L	XL
SLEEVE LENGTH from shoulderseam	D2	62	63	64	65	66
1/2 CHEST WIDTH at armhole	H1	44	47	50	53	56
1/2 WAIST WIDTH	H2	42	45	48	51	54
1/2 BOTTOM WIDTH	H4	52	55	58	61	64
FULL LENGTH at centre back	J1	84	86	88	90	92



SIZE GUIDE

LADIES

CM

	EN / UK / US XS / 8 / 4	EN / UK / US S / 10 / 6	EN / UK / US M / 12 / 8	EN / UK / US L / 14 / 10	EN / UK / US XL / 16 / 12	EN / UK / US 2XL / 18 / 14	EN / UK / US 3XL / 20 / 16
CHEST	75-80	81-86	87-92	93-98	99-104	105-111	112-118
WAIST	59-64	65-70	71-76	77-82	83-88	89-95	96-103
HIP	83-88	89-94	96-101	102-107	108-113	114-120	121-127

MENS

CM

	EN / UK + US S	EN / UK + US M	EN / UK + US L	EN / UK + US XL	EN / UK + US 2XL	EN / UK + US 3XL	EN / UK + US 4XL
NECK	37/38	39/40	41/42	43/44	45/46	47/48	49/50
CHEST	90-95	96-101	102-107	108-113	114-119	120-125	126-131
WAIST	76-81	82-87	88-93	94-99	100-105	106-111	112-117
HIP	92-97	98-103	104-109	110-115	116-121	122-127	128-133

HOW TO MEASURE

