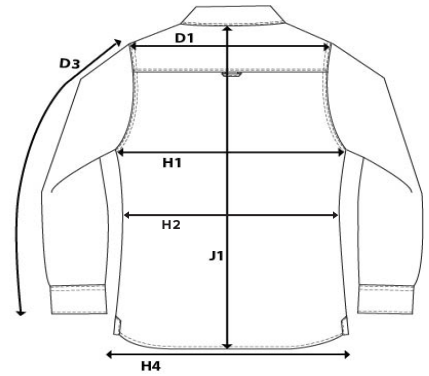
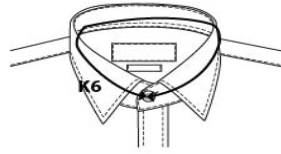


SIZE AND FIT: TORRANCE

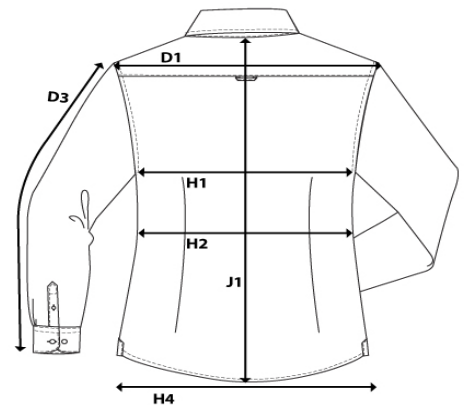
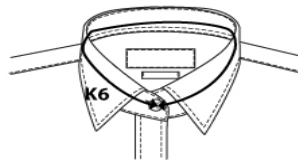


**TORRANCE SLIM FIT** *Men*

Base size: M / Measurement (in cm)	Diagram	S	<b>M</b>	L	XL	XXL
COLLAR neck line CF to CF	K6	40,5	<b>42</b>	43,5	45	46,5
SLEEVE LENGTH from shoulder seam	D3	66	<b>67</b>	69	71	73
SHOULDER TO SHOULDER	D1	46	<b>47</b>	48	49,5	51
CHEST WIDTH at armhole	H1	52	<b>54</b>	56	59	62
WAIST	H2	49,5	<b>51,5</b>	53,5	56,5	59,5
BOTTOM WIDTH	H4	52	<b>54</b>	56	59	62
FULL LENGTH at centre back	J1	75	<b>77</b>	79	81	83

**TORRANCE MODERN FIT** *Men*

Base size: M / Measurement (in cm)	Diagram	S	<b>M</b>	L	XL	XXL	3XL
COLLAR neck line CF to CF	K6	40,5	<b>42</b>	43,5	45	46,5	48
SLEEVE LENGTH from shoulder seam	D3	66,5	<b>68</b>	69,5	71,5	73,5	75,5
SHOULDER TO SHOULDER	D1	46	<b>47</b>	48	49,5	51	52,5
CHEST WIDTH at armhole	H1	54	<b>56</b>	58	61	64	67
WAIST	H2	52	<b>54</b>	56	59	62	65
BOTTOM WIDTH	H4	53	<b>55</b>	57	60	63	66
FULL LENGTH at centre back	J1	74	<b>76</b>	78	80	82	84



**TORRANCE SLIM FIT** *Women*

Base size: M / Measurement (in cm)	Diagram	XS	S	<b>M</b>	L	XL	XXL	3XL
COLLAR neck line CF to CF	K6	36	37	<b>38</b>	39	40	41	42
SLEEVE LENGTH from shoulder seam	D3	62	63	<b>64</b>	65	66	67	68
SHOULDER TO SHOULDER	D1	40	41	<b>42</b>	43	44	45,5	47
CHEST WIDTH at armhole	H1	46	47	<b>50</b>	53	56	60	64
WAIST	H2	38	42	<b>44</b>	47	50	54	58
BOTTOM WIDTH	H4	45	48	<b>51</b>	54	57	61	65
FULL LENGTH at centre back	J1	63	65	<b>68</b>	70	72	75	77



SIZE GUIDE

WOMEN

CM

	EN / UK / US <b>XS / 8 / 4</b>	EN / UK / US <b>S / 10 / 6</b>	EN / UK / US <b>M / 12 / 8</b>	EN / UK / US <b>L / 14 / 10</b>	EN / UK / US <b>XL / 16 / 12</b>	EN / UK / US <b>2XL / 18 / 14</b>	EN / UK / US <b>3XL / 20 / 16</b>
CHEST	75-80	81-86	87-92	93-98	99-104	105-111	112-118
WAIST	59-64	65-70	71-76	77-82	83-88	89-95	96-103
HIP	83-88	89-94	96-101	102-107	108-113	114-120	121-127

MEN

CM

	EN / UK + US <b>S</b>	EN / UK + US <b>M</b>	EN / UK + US <b>L</b>	EN / UK + US <b>XL</b>	EN / UK + US <b>2XL</b>	EN / UK + US <b>3XL</b>	EN / UK + US <b>4XL</b>
NECK	37/38	39/40	41/42	43/44	45/46	47/48	49/50
CHEST	90-95	96-101	102-107	108-113	114-119	120-125	126-131
WAIST	76-81	82-87	88-93	94-99	100-105	106-111	112-117
HIP	92-97	98-103	104-109	110-115	116-121	122-127	128-133

HOW TO MEASURE

